

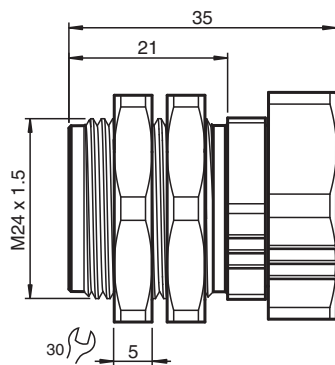


Mounting aid MH-EXG-18

- Clamp for threaded pipe
- Suitable for all M18 sensors, including reduction factor 1
- Simple and quick exchange without readjustment
- 2 panel nuts included
- Free of paint wetting interfering substances
- Significantly reduced influence on the switching distance

Quick mounting bracket with dead stop

Dimensions



Technical Data

| | | |
|----------------------------------|---|--|
| Ambient conditions | | |
| Ambient temperature | | -40 ... 90 °C (-40 ... 194 °F) |
| Mechanical specifications | | |
| Length | L | 35 mm thread length of sensor min. 35 mm |
| Diameter | | sensor min. 17.8 mm sensor max. 18 mm |
| Material | | brass, nickel-plated free of paint wetting interfering substances |
| Screwed connection | | SW = 30 mm |
| Dimensions | | M24 x 1.5 external thread |
| Tightening torque | | 25 Nm |
| General information | | |
| Note | | Attention: Sensor shape dependent, it will be fixed up to 0.7 mm in back-flush position. |

Release date: 2022-12-19 Date of issue: 2022-12-19 Filename: 70112558_eng.pdf

Refer to "General Notes Relating to Pepperl+Fuchs Product Information".

Pepperl+Fuchs Group
www.pepperl-fuchs.com

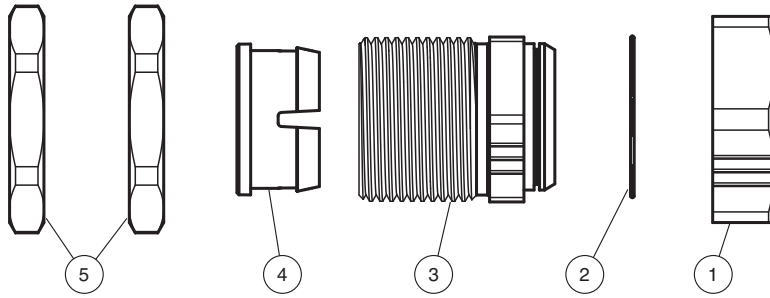
USA: +1 330 486 0001
fa-info@us.pepperl-fuchs.com

Germany: +49 621 776 1111
fa-info@de.pepperl-fuchs.com

Singapore: +65 6779 9091
fa-info@sg.pepperl-fuchs.com

PF PEPPERL+FUCHS

Mounting



Release date: 2022-12-19 Date of issue: 2022-12-19 Filename: 70112558_eng.pdf